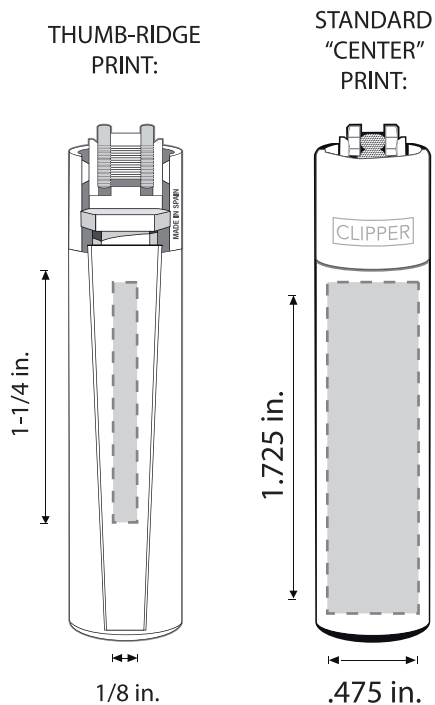


INDIVIDUAL COLORS TEMPLATE



MANUFACTURING LIMITATIONS:

FONT SIZE (minimum): **6pt**

All type in your design must be at least this size

LINE THICKNESS (minimum): **0.5pt**

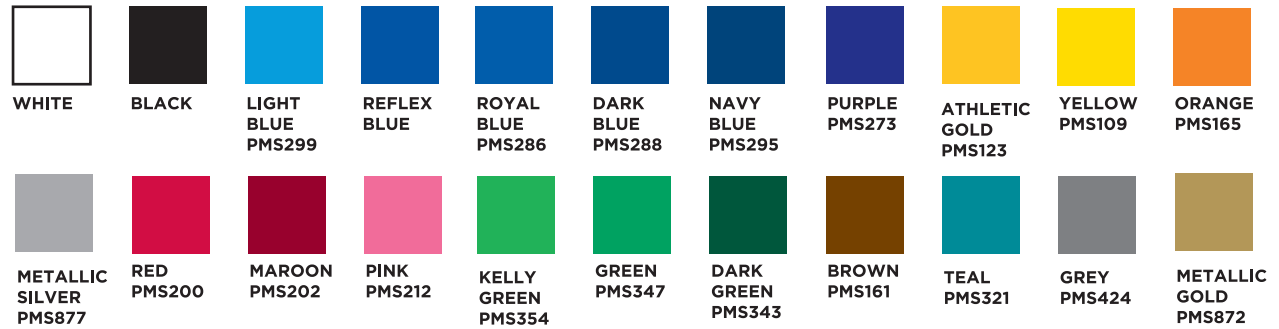
NEGATIVE SPACE THICKNESS (minimum): **0.7pt**

*the unprinted gap between printed areas

NUMBER OF PRINT COLORS (maximum): **2 colors (per side)**

WARNING - if you do not adhere to these specifications your print may fill-in or blur during printing, or scratch off after printing

STOCK PRINT COLORS:



PRINT COLORS:
#1: xxx
#2: xxx



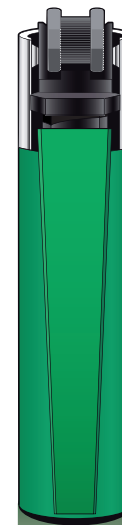
PRINT COLORS:
#1: xxx
#2: xxx



PRINT COLORS:
#1: xxx
#2: xxx



PRINT COLORS:
#1: xxx
#2: xxx



PRINT COLORS:
#1: xxx
#2: xxx



PRINT COLORS:
#1: xxx
#2: xxx