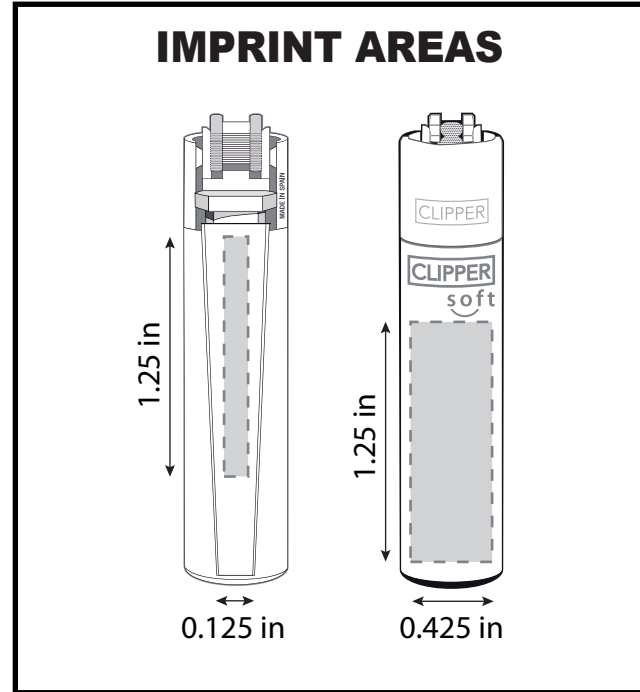


**MINI - SOFT TOUCH - NEON ASSORTMENT**



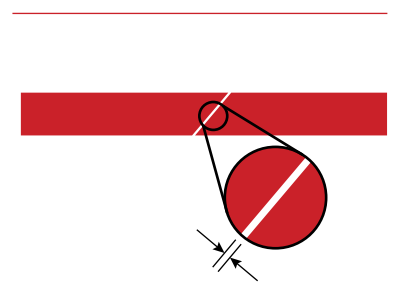
**FREE PMS MATCH, UP TO 4 IMPRINT COLORS**

Please review this proof for spelling, accuracy, and layout. Please tell us if this artwork is good to print. Certainly let us know if you have any corrections or concerns.

**QUALITY PRINTING GUIDELINES**

- FONT SIZE (minimum): 6pt**  
*Any smaller and it could gap or bleed.*
- LINE THICKNESS (minimum): 0.5pt**  
*Any smaller and it could gap or print thicker than expected*
- NEGATIVE SPACE THICKNESS (minimum): 0.7pt**  
*\*the unprinted space in between printed areas*  
*Any smaller and it could fill in.*
- NUMBER OF PRINT COLORS (maximum): 1-4 imprint colors**  
*Free PMS match, up to 4 imprint colors*

All type in your design must be AT LEAST this size



**WARNING:**  
If you do not adhere to these print specifications your print may gap or fill-in during printing.



- |                      |                      |                      |                      |                      |                      |                      |                      |
|----------------------|----------------------|----------------------|----------------------|----------------------|----------------------|----------------------|----------------------|
| <b>PRINT COLORS:</b> | <b>PRINT COLORS:</b> | <b>PRINT COLORS:</b> | <b>PRINT COLORS:</b> | <b>PRINT COLORS:</b> | <b>PRINT COLORS:</b> | <b>PRINT COLORS:</b> | <b>PRINT COLORS:</b> |
| #1: xxx              | #1: xxx              | #1: xxx              | #1: xxx              | #1: xxx              | #1: xxx              | #1: xxx              | #1: xxx              |
| #2: xxx              | #2: xxx              | #2: xxx              | #2: xxx              | #2: xxx              | #2: xxx              | #2: xxx              | #2: xxx              |
| #3: xxx              | #3: xxx              | #3: xxx              | #3: xxx              | #3: xxx              | #3: xxx              | #3: xxx              | #3: xxx              |
| #4: xxx              | #4: xxx              | #4: xxx              | #4: xxx              | #4: xxx              | #4: xxx              | #4: xxx              | #4: xxx              |

3000 LIGHTS



REUSABLE LIGHTER



REFILLABLE GAS



REFILLABLE FLINT



PACKING TOOL

