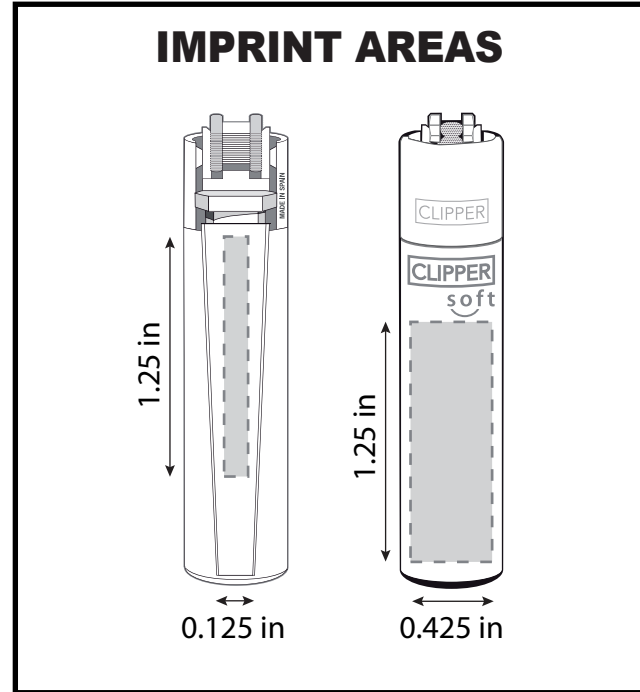


MINI - SOFT TOUCH - NEON ASSORTMENT



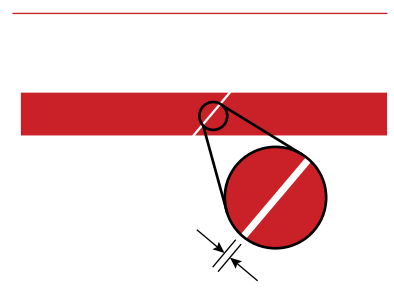
FREE PMS MATCH, UP TO 4 IMPRINT COLORS

Please review this proof for spelling, accuracy, and layout. Please tell us if this artwork is good to print. Certainly let us know if you have any corrections or concerns.

QUALITY PRINTING GUIDELINES

- FONT SIZE (minimum): 6pt**
Any smaller and it could gap or bleed.
- LINE THICKNESS (minimum): 0.5pt**
Any smaller and it could gap or print thicker than expected
- NEGATIVE SPACE THICKNESS (minimum): 0.7pt**
**the unprinted space in between printed areas*
Any smaller and it could fill in.
- NUMBER OF PRINT COLORS (maximum): 1-4 imprint colors**
Free PMS match, up to 4 imprint colors

All type in your design must be AT LEAST this size



WARNING:
If you do not adhere to these print specifications your print may gap or fill-in during printing.



- | | | | | | | | |
|----------------------|----------------------|----------------------|----------------------|----------------------|----------------------|----------------------|----------------------|
| PRINT COLORS: | PRINT COLORS: | PRINT COLORS: | PRINT COLORS: | PRINT COLORS: | PRINT COLORS: | PRINT COLORS: | PRINT COLORS: |
| #1: xxx | #1: xxx | #1: xxx | #1: xxx | #1: xxx | #1: xxx | #1: xxx | #1: xxx |
| #2: xxx | #2: xxx | #2: xxx | #2: xxx | #2: xxx | #2: xxx | #2: xxx | #2: xxx |
| #3: xxx | #3: xxx | #3: xxx | #3: xxx | #3: xxx | #3: xxx | #3: xxx | #3: xxx |
| #4: xxx | #4: xxx | #4: xxx | #4: xxx | #4: xxx | #4: xxx | #4: xxx | #4: xxx |

3000 LIGHTS



REUSABLE LIGHTER



REFILLABLE GAS



REFILLABLE FLINT



PACKING TOOL

